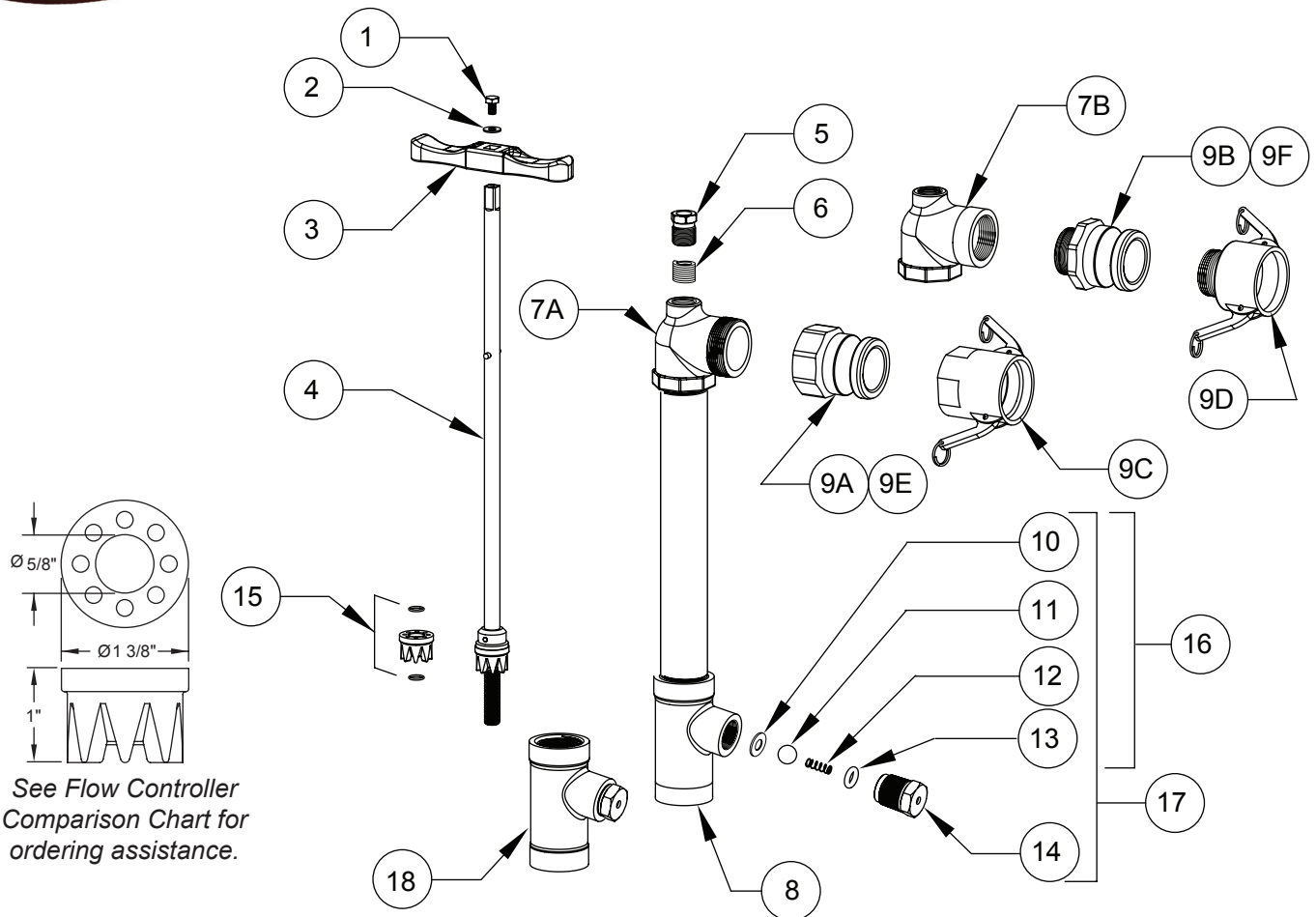




# MODEL R200HP 2" High Pressure Hydrant



See Flow Controller Comparison Chart for ordering assistance.

ITEM NO.	PART NUMBER	DESCRIPTION	QTY	ITEM NO.	PART NUMBER	DESCRIPTION	QTY
1	61039	Handle Bolt	1	9D	61066	1.5 Female - Type B - Coupling - SS - 800 PSI	1
2	61040	Handle Washer	1	9E	61059	2.0 Male - Type A - Adapter - SS - 1200 PSI	1
3	61024	Handle	1	9F	61056	1.5 Male - Type F - Adapter - SS - 1200 PSI	1
4	652XX	HP Rod Assembly	1	10	61034	Brass Washer	1
5	61035	Packing Nut	1	11	61032	SS Drain Ball	1
6	61086	Teflon Packing	1	12	61029	Drain Spring	1
7A	61015	2" Elbow Casting with 2.0 M Outlet	1	13	61028	Drain O-Ring	1
7B	61016	2" Elbow Casting with 1.5 F Outlet	1	14	61027	Drain Body	1
8	65304	2" HP Valve Body with 2" F Inlet	1	15	61043	HP Flow Controller (15H) w/(2) 61052 O-Rings	1
9A	61058	2.0 Male - Type A - Adapter - AL - 800 PSI	1	16	65011	Drain Repair Kit	1
9B	61055	1.5 Male - Type F - Adapter - AL - 800 PSI	1	17	65013	Drain Repair Kit w/Body	1
9C	61069	2.0 Female - Type D - Coupling - SS - 800 PSI	1	18	65008	2" HP Valve Body w/2" F Inlet w/Drain Ass'y.	1

For more information contact...

## Roger's Hydrant Company

2121 Waynoka Road, Colorado Springs, Colorado 80915 • Phone: (877) 454-8097 • Fax: (800) 765-4115

email: [sales@rogershydrants.com](mailto:sales@rogershydrants.com)

[www.rogershydrants.com](http://www.rogershydrants.com)

A Division Of WCM Industries, Inc.