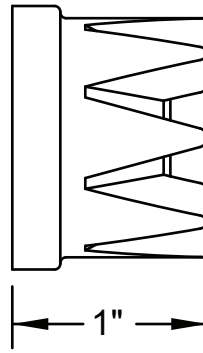
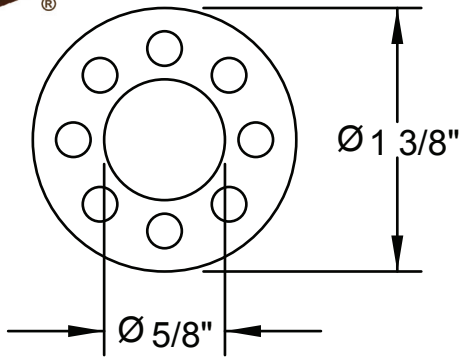




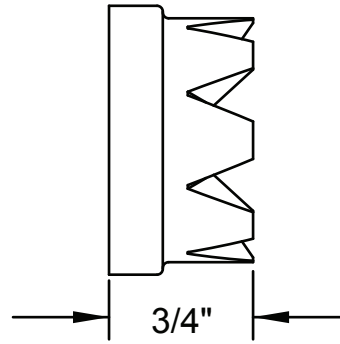
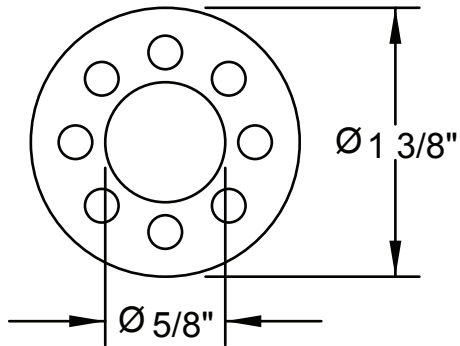
Flow Controller Comparison Chart

R150HP
R200HP
AG20HP



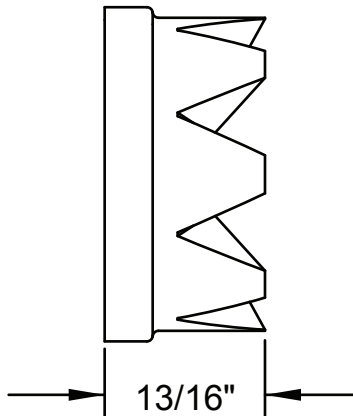
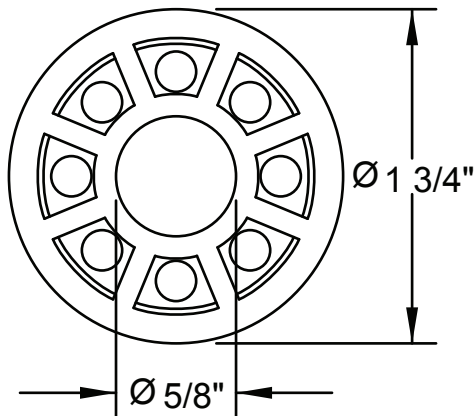
1 1/2" & 2"
HIGH PRESSURE
61043

R150LP



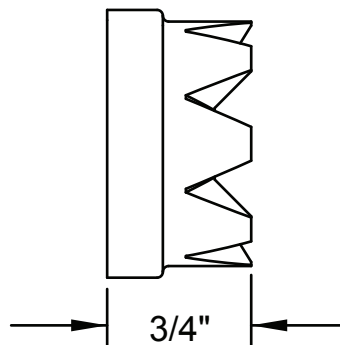
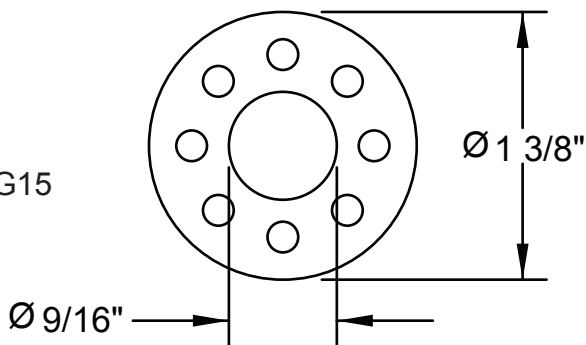
1 1/2"
LOW PRESSURE
61042

R200LP
AG20LP



2"
LOW PRESSURE
61044

AG15



1 1/2"
ABOVE GROUND
61045

For more information contact...

Roger's Hydrant Company

2121 Waynoka Road, Colorado Springs, Colorado 80915 • Phone: (877) 454-8097 • Fax: (800) 765-4115

email: sales@rogershydrants.com

www.rogershydrants.com

A Division Of WCM Industries, Inc.